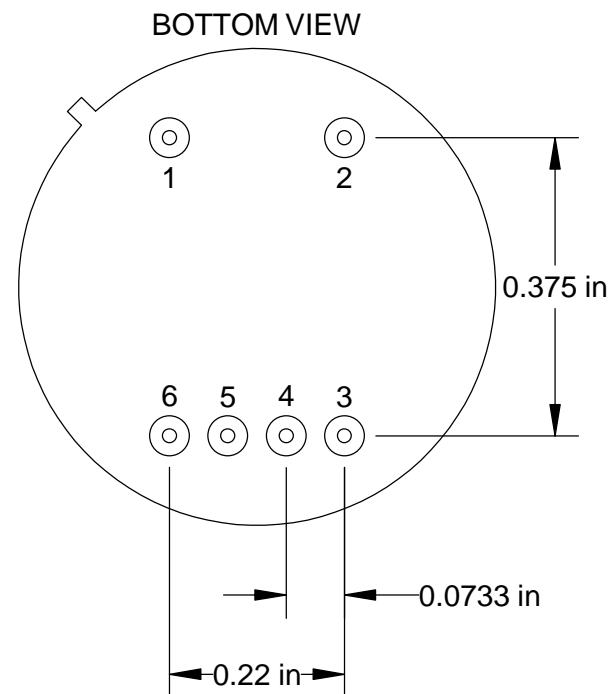
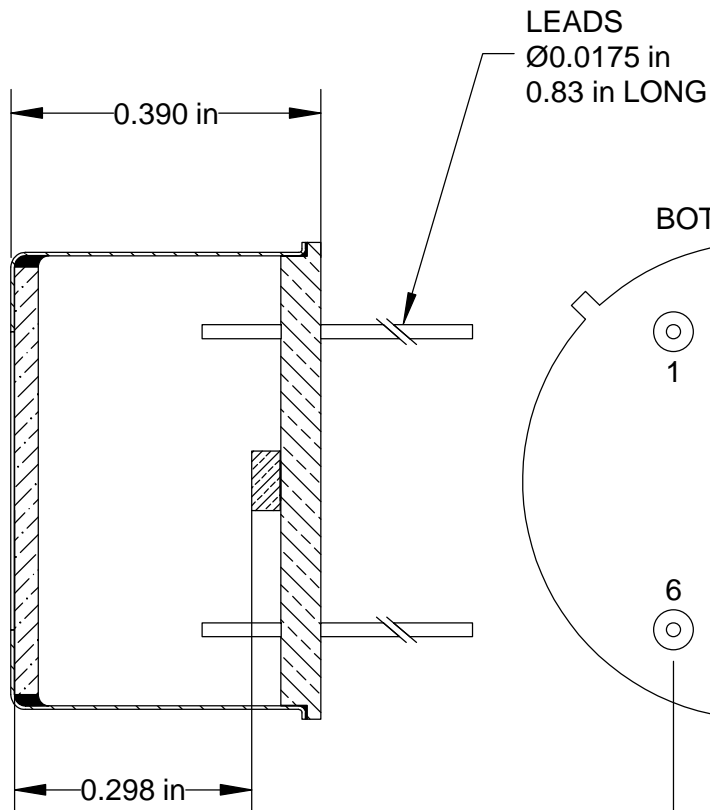
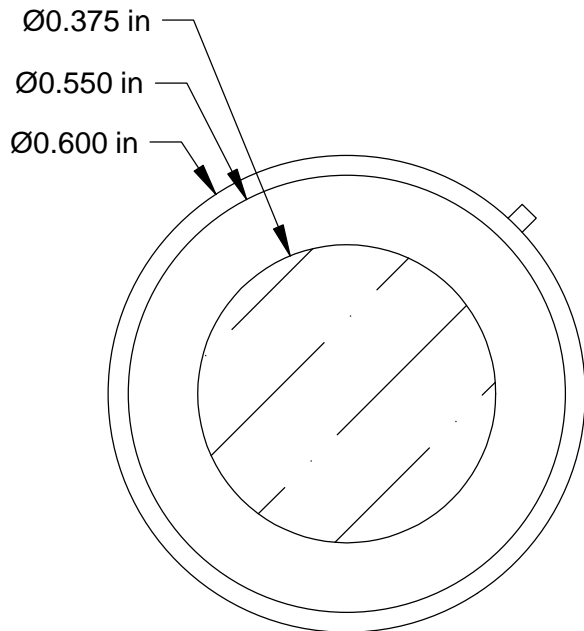


PROPRIETARY NOTICE:  
 THIS DOCUMENT AND THE ACCOMPANYING DATA ARE NOT TO BE  
 REPRODUCED, USED BY OR DISCLOSED TO ANYONE, BUT THE  
 CUSTOMER OF SAID DEVICE, IN WHOLE OR IN PART WITHOUT THE  
 EXPRESS CONSENT OF INFRARED ASSOCIATES, INC.

REVISIONS

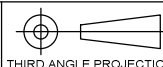
ZONE	REV	DESCRIPTION	DATE	APPROVED
	0	INITIAL RELEASE	4/22/2014	

FUNCTION	PIN
N/C	1
N/C	2
DETECTOR	3
N/C	4
N/C	5
DETECTOR	6



DIMENSIONS UNLESS OTHERWISE SPECIFIED  
 ARE IN INCHES.  
 TOLERANCES:  
 FRACTIONS +/- 1/64, ANGLES +/- 0.5 DEGREES  
 3 PLACE DECIMALS +/- 0.005  
 2 PLACE DECIMALS +/- 0.01

DO NOT SCALE



THIRD ANGLE PROJECTION

**InfraRed Associates, Inc.**  
 Stuart, Florida 34997

MATERIAL

PREPARED	B. THORP
CHECKED	F. ROTHE
ENGINEERING	
PRODUCTION	
QUALITY	

**TO-8**  
**Room Temperature Detector**

FINISH

SCALE:	SHEET <b>1</b> OF <b>1</b>
JOB NO.	NEXT ASSY.

SIZE	FSCM NO.	DRAWING NO.	REV.
<b>A</b>		<b>1800-0253</b>	<b>-</b>